

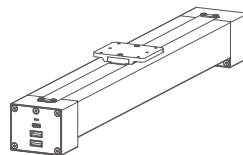
Slide Extension

User Manual | Bedienungsanleitung
Manual de Usuario | Manuel d'utilisation

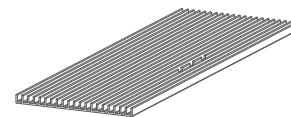
Contents

Package List	01
Component Overview	02
Quick Assembly	03
LP2 Plus with Slide Extension	04
LP4 with Slide Extension	05
LP5 with Slide Extension	06
Using with LDS App & Software	07
Multi-File Mode	08
Technical Specifications	09
Getting Help	09
Statements	09

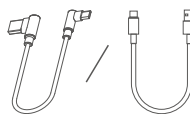
Package List



Linear Slide × 1



Cutting Base Plate × 2



USB Cable × 1



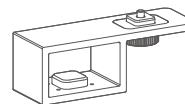
M3*6 Screw × 6



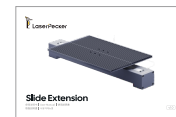
Hex Key H2.5 × 1



Binder Clip × 2

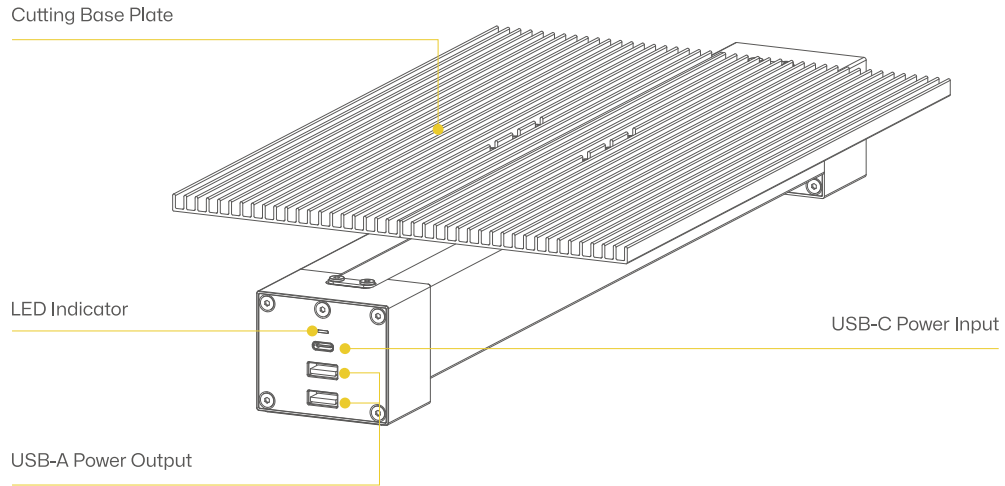


Riser × 1 (Optional)



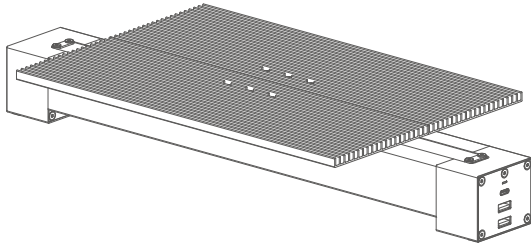
User Manual × 1

Component Overview

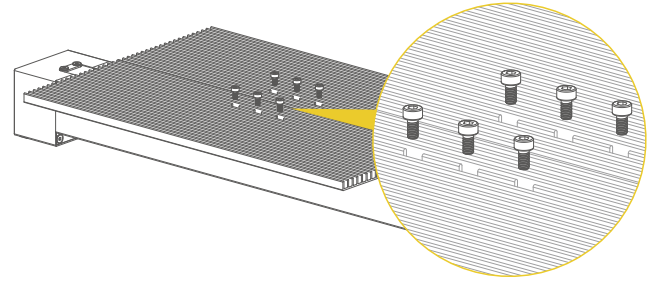


Quick Assembly

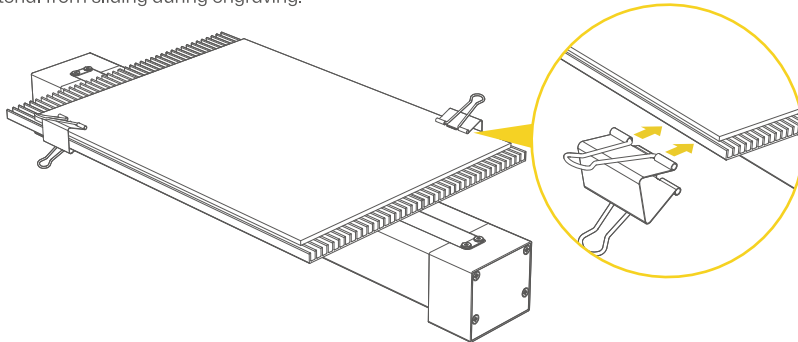
1. Place the two Cutting Base Plates onto the Linear Slide.



2. Use the H2.5 Hex Key to tighten the six M3*6 screws and secure the Cutting Base Plates to the Linear Slide.



3. When placing the engraving material on the Cutting Base Plate, you can secure both ends with two Binder Clips to prevent the material from sliding during engraving.



LP2 Plus with Slide Extension

USB-A Port (Connect to Electric Stand)

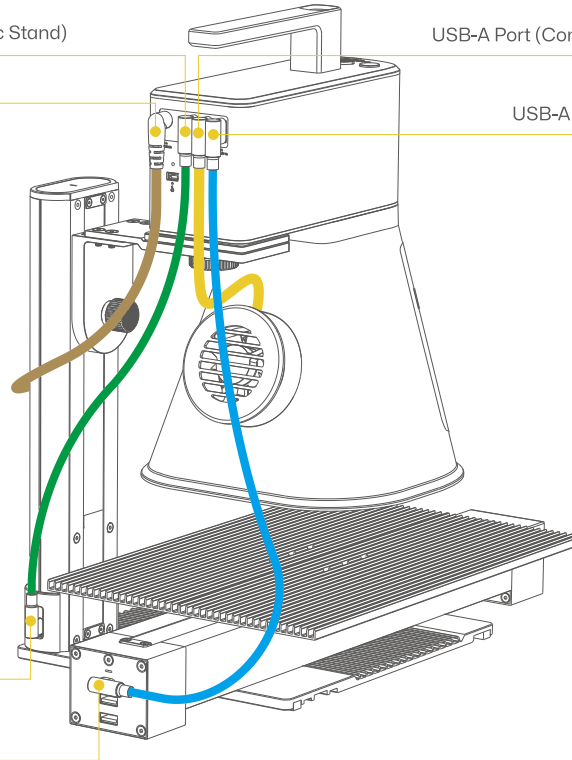
USB-A Port (Connect to Conical Protective Cover)

DC Power Port

USB-A Port (Connect to Slide Extension)

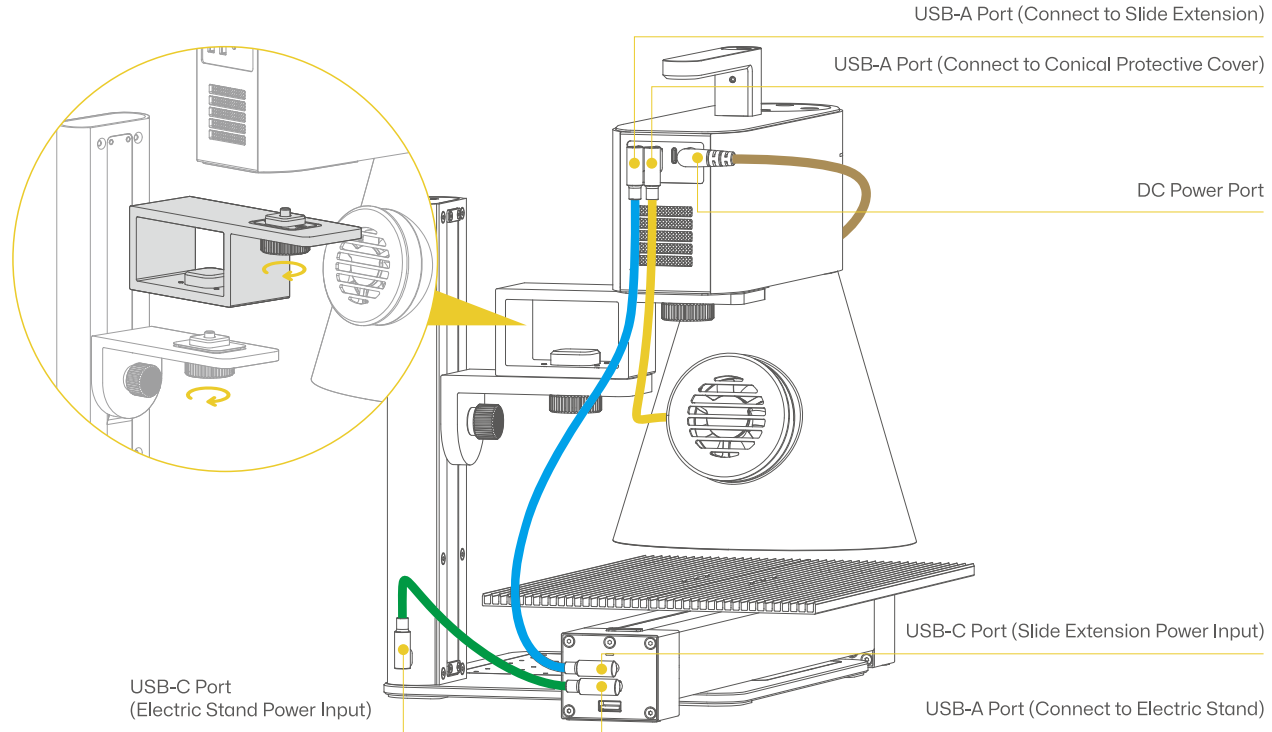
USB-C Port
(Electric Stand Power Input)

USB-C Port
(Slide Extension Power Input)

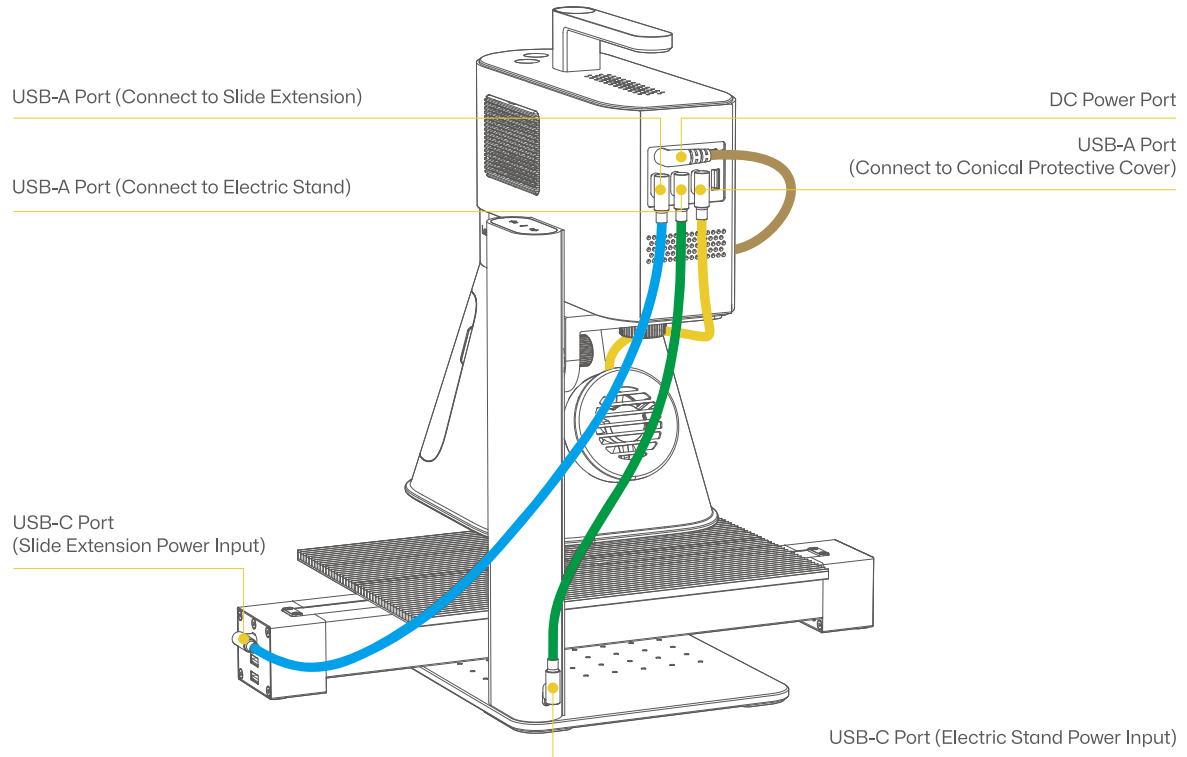


LP4 with Slide Extension

Install the Riser between the LP4 Laser Unit and Electric Stand to use the Slide Extension, then tighten the two knobs to secure it in place.



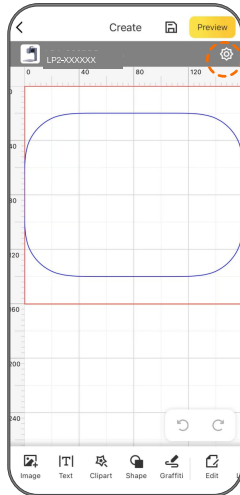
LP5 with Slide Extension



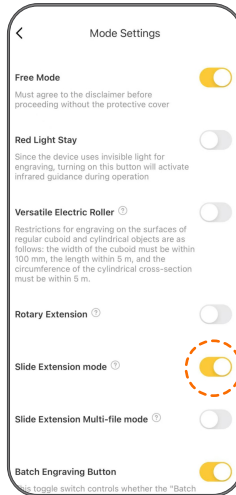
Using with LDS App & Software

1. After connecting the Slide Extension to the Laser Unit, open the LaserPecker Design Space App or software, and enable Slide Extension mode in the Mode Settings.

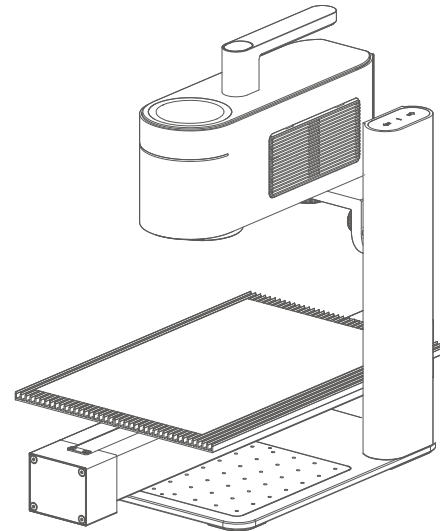
- 1 Tap the settings icon (top right).



- 2 Enable "Slide Extension".



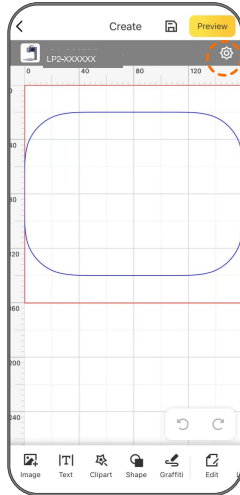
2. Adjust the Cutting Base Plate and material to the proper engraving position. Use Preview to ensure the material is within the engraving area, then start engraving.
(For detailed instructions on cable connection and accessory installation, please refer to the connection diagrams for your model, or consult the online video or article tutorials.)



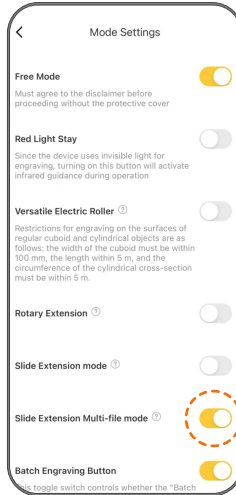
Multi-File Mode

1. Open the "LaserPecker Design Space" app or software, enable "Slide Extension Multi-File Mode" in Mode Settings, and then marquee-select the materials you want to engrave on the canvas.

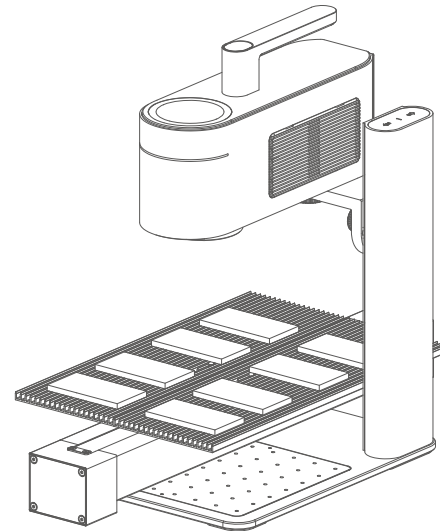
1 Tap the settings icon (top right).



2 Enable "Slide Extension Multi-File Mode".



2. Adjust the Cutting Base Plate and material to the proper engraving position. Use Preview to ensure the material is within the engraving area, then start engraving.
(For detailed instructions on cable connection and accessory installation, please refer to the connection diagrams for your model, or consult the online video or article tutorials.)



Technical Specifications

Size	435 × 200 × 65 mm
Weight	1.7 kg
Stroke	300 mm
Material	Aluminum Alloy
Preview Speed	50 mm/s
Idle Speed	4000 mm/s
G-code Engraving Speed	4500 mm/s
USB-C Power Input	5V/1A

Getting Help

Technical Support

If you encounter any issues, please do not hesitate to reach out to our customer support team at support@laserpecker.com

Video Tutorial

Scan the QR code below to learn how to use the Slide Extension.



Statements

Disclaimer

Thank you for choosing LaserPecker! This manual relates to your safety, legal responsibilities and rights. Please read and get familiar with all safety precautions and procedures before using the product. If you do not use the product according to the instructions and requirements of the manual, or mis-operate the product due to misunderstanding, etc., LaserPecker (Hingin Technology Co., Ltd.) shall bear no responsibility for any loss resulting therefrom.

Given the conditions and methods of use of this product are beyond the control of LaserPecker, LaserPecker shall not be liable for any of the following consequences, which shall be borne by the user:

- Personal injury, property loss, and product damage caused by improper operation, failure to follow the manual or other uncertainties.
- The work that user created using the LaserPecker product infringes intellectual property rights of the third party or violates relevant laws and regulations.
- Personal injury, property loss, and product damage that may arise during the installation, transportation, storage, use, maintenance, and disposal of this product.
- All official LaserPecker materials have undergone safety testing and are compatible with this product. LaserPecker shall not be liable for material safety or engraving quality if the user uses non-LaserPecker official materials.

Copyright

- Copyright of this manual, as well as the rights to the software and hardware related to this product, are owned by Shenzhen Hingin Technology Co., Ltd. (hereinafter referred to as "Hingin Technology"). LaserPecker is a registered trademark of Hingin Technology.
- The information in this manual may be changed without notice; The information in this manual does not constitute a commitment of the Company. Please learn about the latest update from(<https://www.laserpecker.net>). The contents of this manual shall not be rewritten or forwarded in any form or for any purpose without the written permission of the Company.

LaserPecker